



GSM

WE'LL TAKE IT FROM HERE

Your trusted partner in
delivering innovative
solutions for the
mining industry.

With our expertise in engineering, manufacturing, and business setup,
we ensure your projects are executed with precision and excellence.





About us

At GSM, we pride ourselves on being a leader in providing comprehensive solutions for the mining sector.

Our mission is to deliver excellence through innovation, quality, and integrity.

Why choose us

INDUSTRY EXPERIENCE

Our team comprises seasoned professionals with extensive experience in the mining and aerospace sectors, ensuring you receive knowledgeable and tailored solutions for your business.

COMMITMENT TO QUALITY

We adhere to the highest standards of quality and precision in every project we undertake, guaranteeing exceptional results that meet and exceed industry expectations.

COMPREHENSIVE SOLUTIONS

From specialized steel procurement to advanced engineering and manufacturing, we offer a full spectrum of services to meet all your business needs under one roof.

PERSONALIZED SUPPORT

Our dedicated support team works closely with you at every step, providing personalized guidance and ensuring seamless execution of your projects and business setups in the US or Mexico.





Index

■ Steel	P. 01 - 02
■ Open-pit	P.03 - 08
■ Underground	P. 09 - 17
■ Repair kits	P. 18 - 19
■ Conveyor belts	P.20 - 22
■ Steel casting	P. 23 - 25
■ Products	P. 26 - 31
□ Other products & services	P.32 - 39

STEEL

High-strength steel for various mining applications.



Q&T Steel (Grade 70, 700) Quenched and tempered

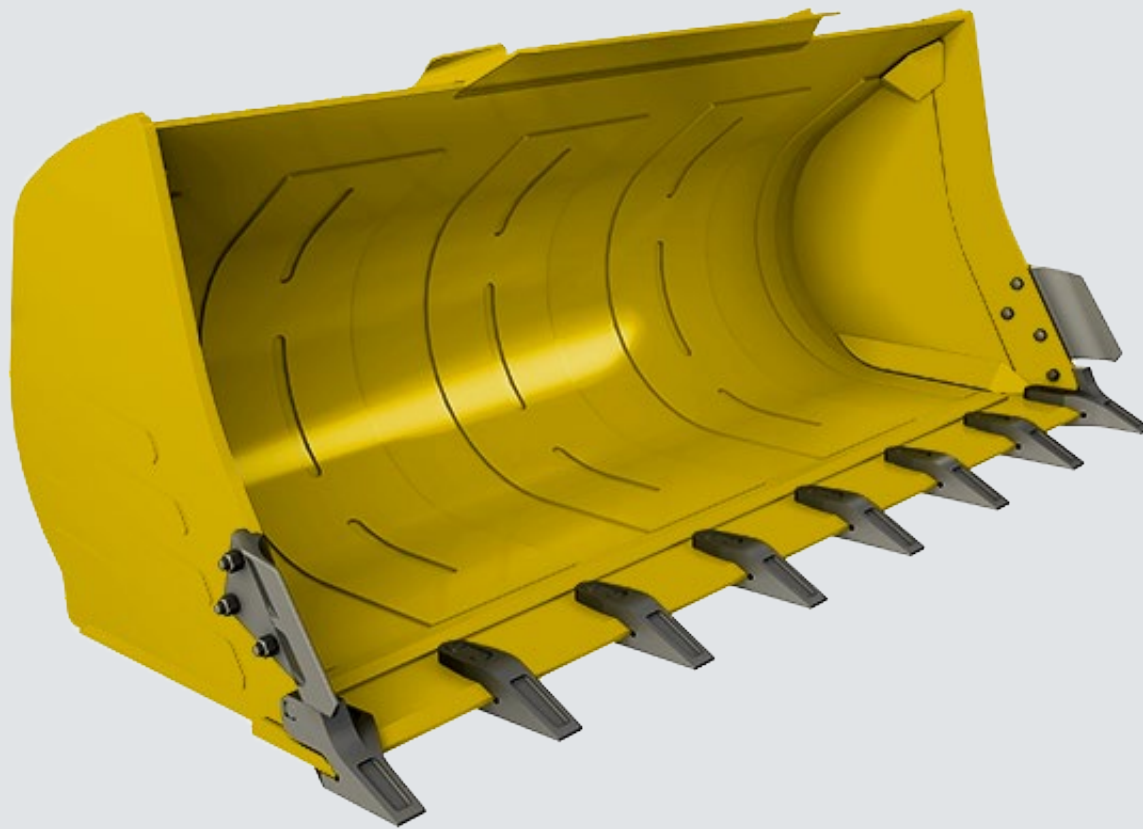
- High-quality quenched and tempered steel.
- Grade Range 70-700



Open-pit

Parts designed for open-pit mining operations.

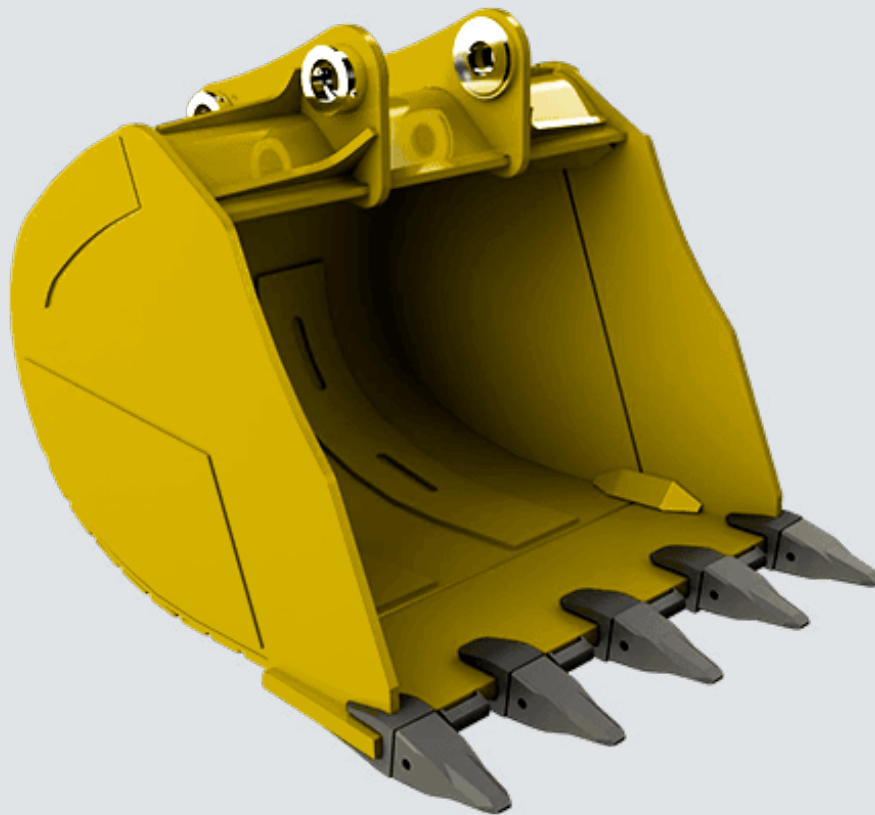




Heavy duty wheel load bucket

Use ultra-high strength wear-resistant steel, prolong product life; Improved screw fixed knife plate lip protection, edge knife, easy maintenance and replacement; High strength products, reduce maintenance time and cost, improve work efficiency.

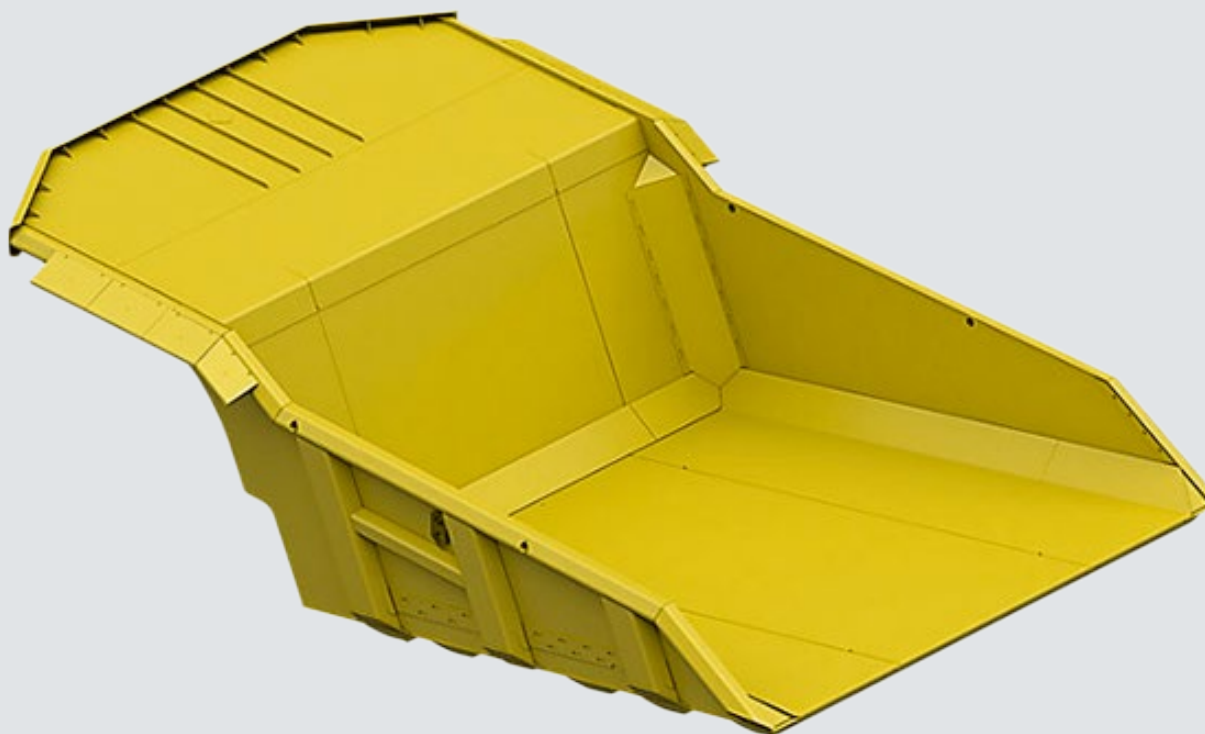
- Capacity Range: 2.4-10m³ +
- Weight Range: 3-10 tonnes +



Heavy duty excavator bucket

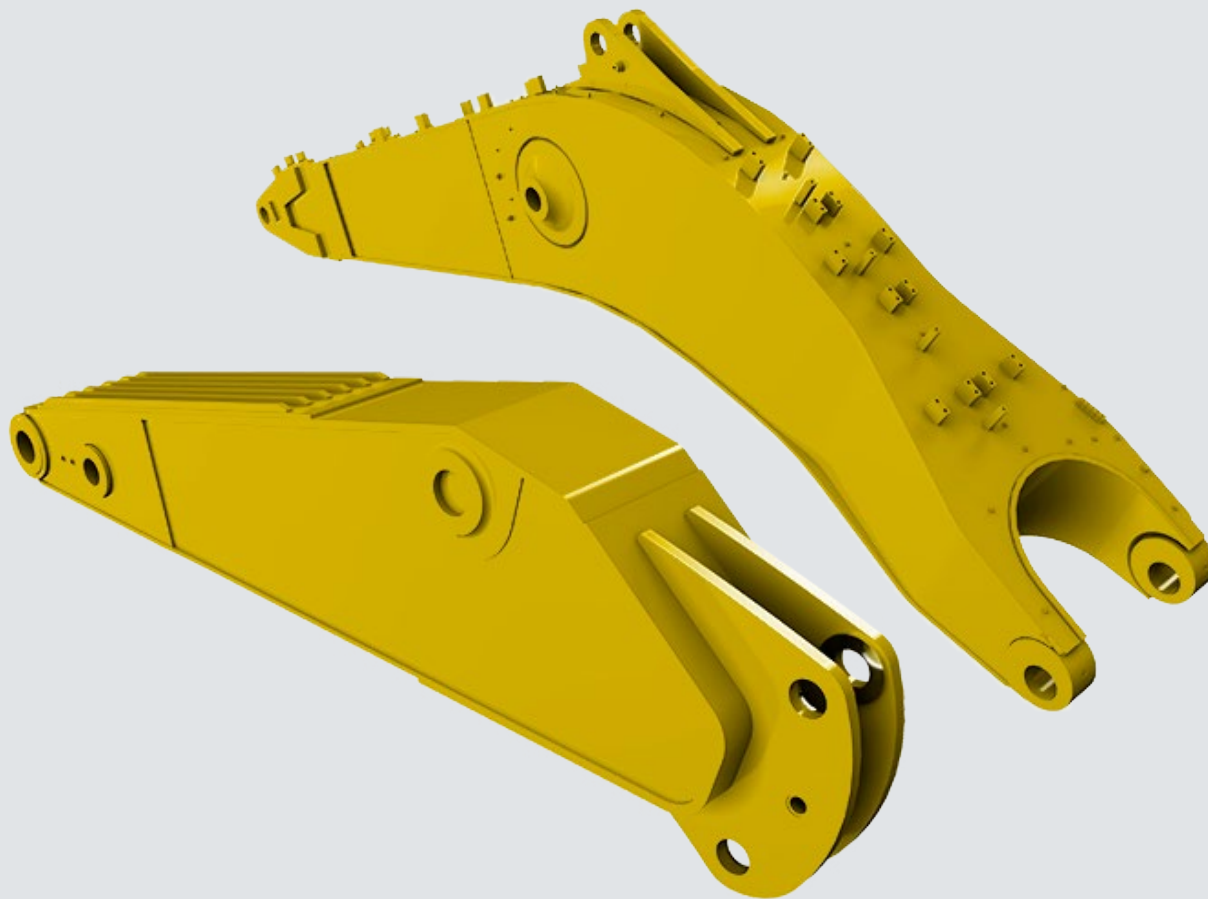
Larger bucket capacity, bucket mouth area is larger; It has a larger loading surface, so it has a higher filling coefficient; Adopt high quality high strength structural steel, high quality domestic bucket tooth seat; Save operation time, high efficiency.

- Capacity Range: 0.2-4m³+
- Weight Range: 50-100 tonnes+



Truck dump body

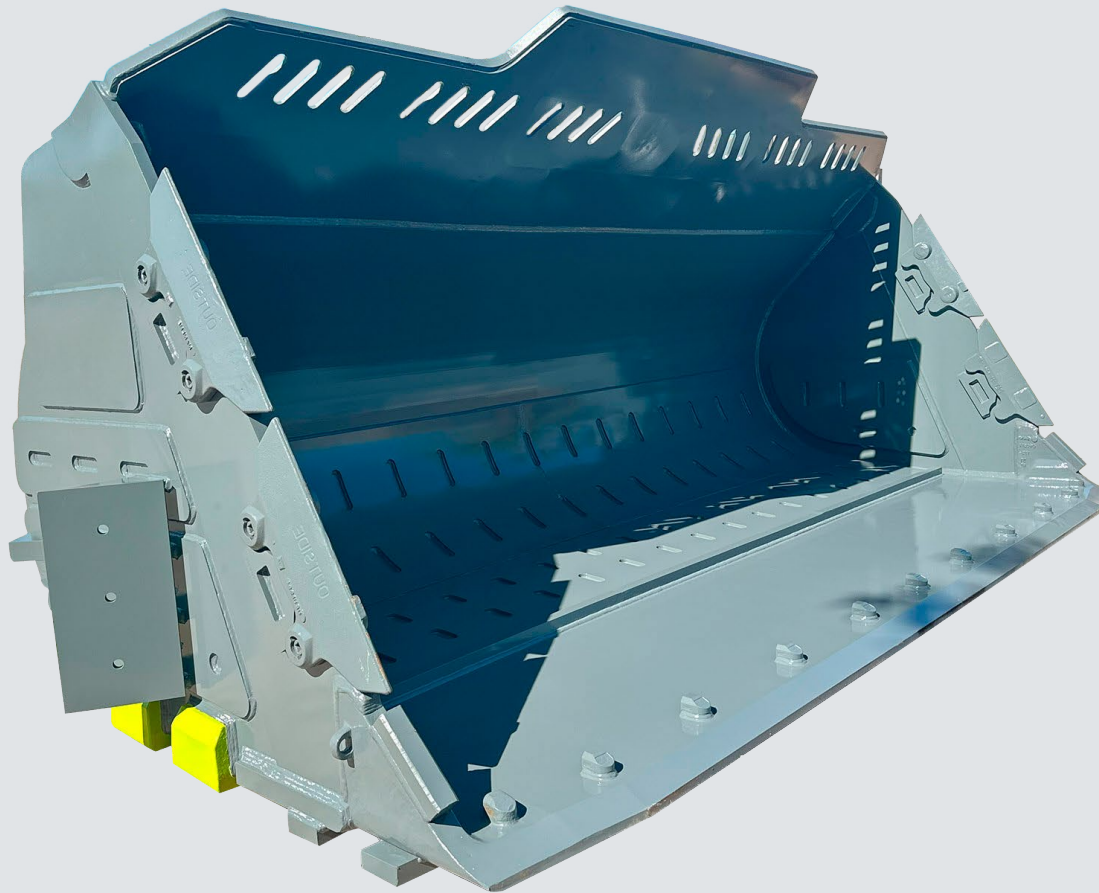
- Reduced damage to chassis and tires
- Increase the load
- Reduce the number of maintenance
- Weight Range 50-100 tonnes+



Heavy duty excavator arm

Bucket rod product design is reasonable, the use of high-quality high-strength wear-resistant steel, its connection part in line with the original excavator connection size has long service life, comprehensive use of cost-effective characteristics.

- Weight Range: 50-100 tonnes +



Reinforced HD Bucket

Reinforced HD Bucket, designed to tackle the toughest jobs with ease. Perfectly suited for compact soils, this heavy-duty bucket excels in environments that aren't particularly abrasive, ensuring durability and longevity in demanding conditions.

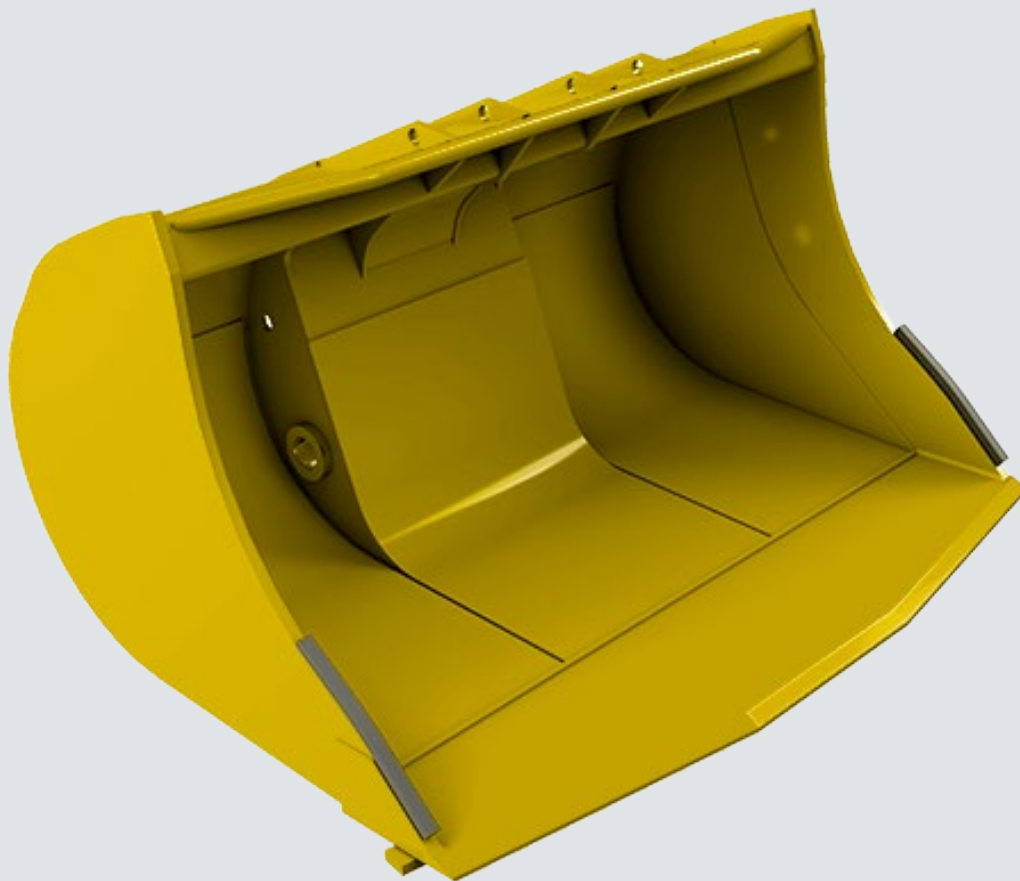
- Suitable for compact soils, not particularly abrasive.
- Reinforced sides, double bottom and double formed profile. Increased blade thickness and teeth size
- I to suit 12-150 TN Excavator.



Underground

Specialized components for underground mining machinery.

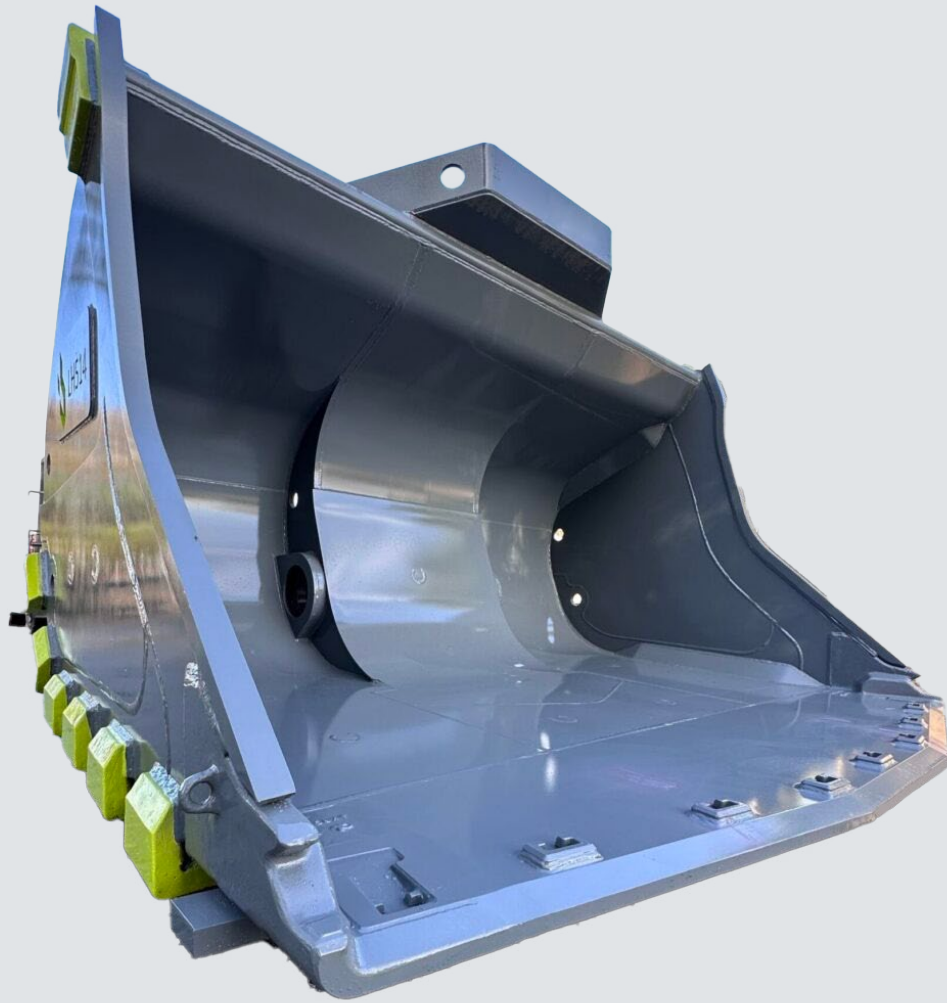




Underground heavy duty wheel load bucket

The bottom of the bucket adopts the double arc design to increase the gap of the heel, reduce wear, prolong the life of the product several times, the product has high reliability, better mining performance and more prominent economy; Greatly reduce the maintenance required time and cost, greatly improve the work efficiency and win the construction period.

- Capacity Range; 8-15m³ +
- Weight Range: 0-150 tonnes +



LH Series

The highest quality materials sourced from international suppliers and manufactured with a dedication in craftsmanship where perfection is only just good enough.



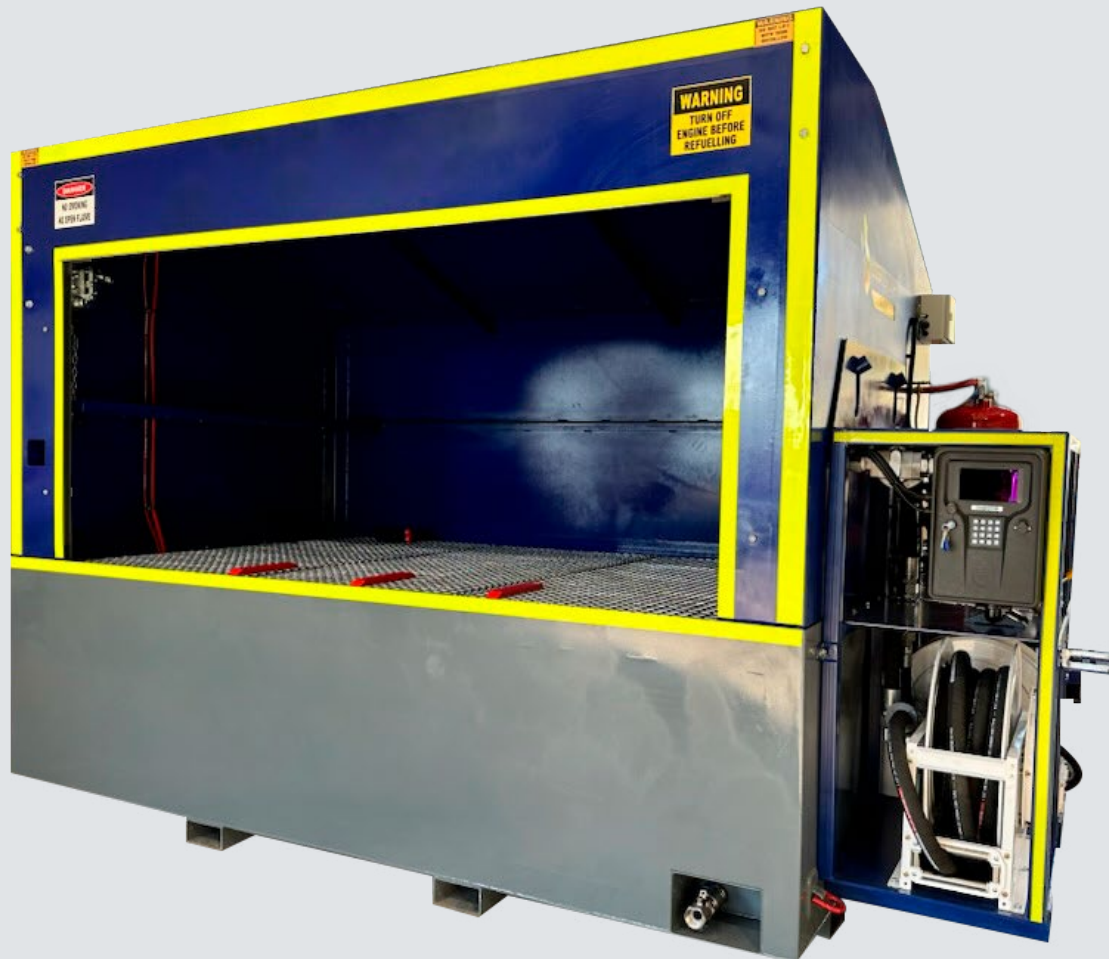
R Series

Through detailed focus on the customer and their unique requirements, we build an understanding that drives a commitment to provide efficient solutions tailored to these needs.



Standard Refuelling Station

- Solid steel construction.
- Fire suppression system – auto & manual activation.
- Fire roller shutter door – auto activation.
- Dead man valve for fuel operation.
- Low profile, built on a galvanized skid base for ease of shifting underground, also providing good operator vision when changing tanks.



High Capacity Refuelling Station

- Solid steel construction.
- Fire suppression system – auto & manual activation.
- Fire roller shutter door – auto activation.
- Dead man valve for fuel operation.
- Low profile, built on a galvanized skid base for ease of shifting underground, also providing good operator vision when changing tanks.



Portable Refuge Chambers

- Portable sizes: 4 or 6 person capacity. Please view our stationary range for 8-30 person capacities.
- Minimum 36 hours of isolated operation.
- BAC unit Best Atmospheric Controller (scrubber and converter in one compact unit).
- Compliant with 2013 Western Australia Guidelines for Refuge Chambers in Metalliferous Mines.
- Air conditioned.



Underground escape cabin

- Sizes: 3 to 30 person capacity options
- Communications System Options
- Automatic lighting/
- Gas to Surface Reporting
- Battery to surface reporting
- Camera to surface reporting, Door opening reporting
- Entertainment Pack

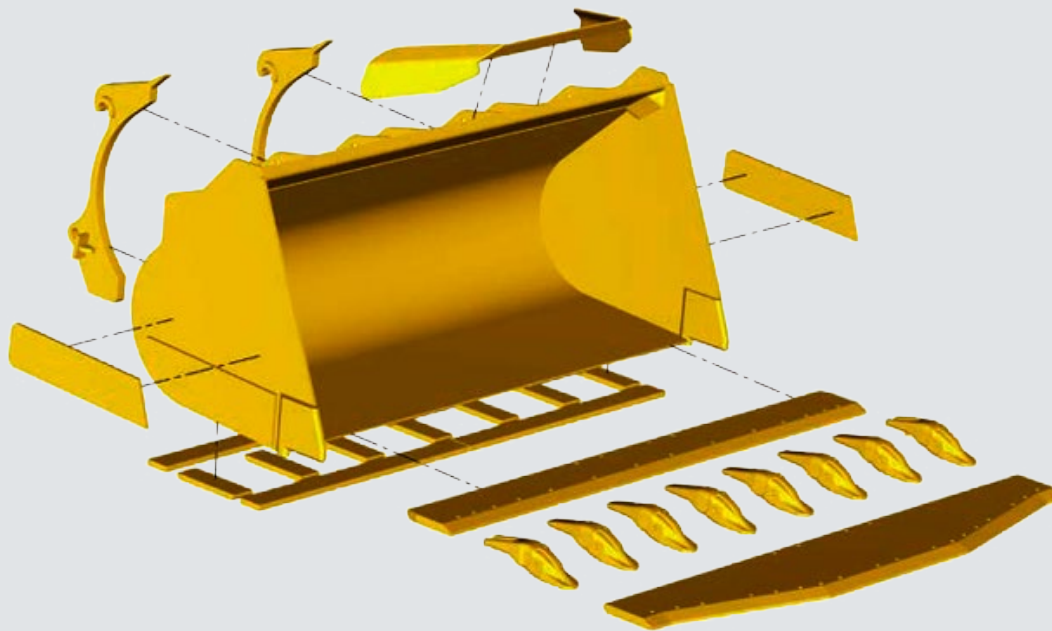


Truck dump body

· Weight Range 50-100 tonnes+

Repair kits

Repair kits ensuring efficient maintenance.



Repair Kits, Wear Kits, Including Fabrication

We provide comprehensive solutions to extend the lifespan of your mining equipment.

Additionally, we offer custom fabrication to ensure a perfect fit and optimal performance under extreme conditions.

Conveyor belts

Conveyor belts for mining operations.

Underground

It can be customized to meet your underground mining conveyor belt needs.

Conveyor Belting

We offer conveyor belts tailored to your specific needs, whether for open-pit mines or underground mines. Our solutions are designed with features that ensure performance, durability, and efficiency under the most demanding conditions:

- **Grade 1**
 - High Impact Service
- **Grade 2**
 - Heavy Duty Abrasive Service
- **Super-Hot Belts**
 - High Temperature Service



Open-pit

It can be customized to meet your open-pit mining conveyor belt needs.

- **Super-Hot Ozone**
 - High Temperature Service
- **Super-Hot Oil-Resistant**
 - High Temperature Service
- **Super-Hot Type SOR**
 - High Temperature Service
- **Type SOR**
 - Oil Resistant Service

Steel casting

Casting parts in metal and sand molds.

Steel casting.

Processes

Metal or Permanent Mold:
Reusable, more expensive initially, ideal for mass production and small or precise parts.

Steel casting



Fabrication of mining components

Sand Mold.

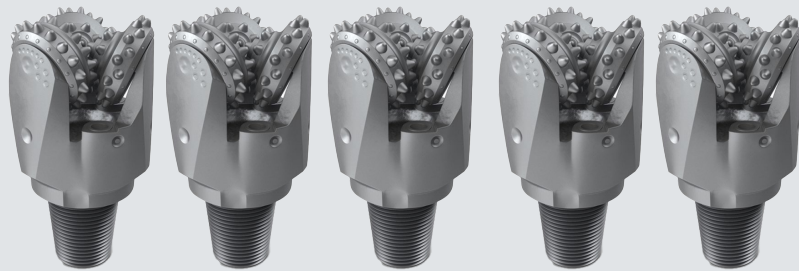
Disposable, more cost-effective for small production runs or large and complex parts.



Products

Wide range of products for the mining industry.



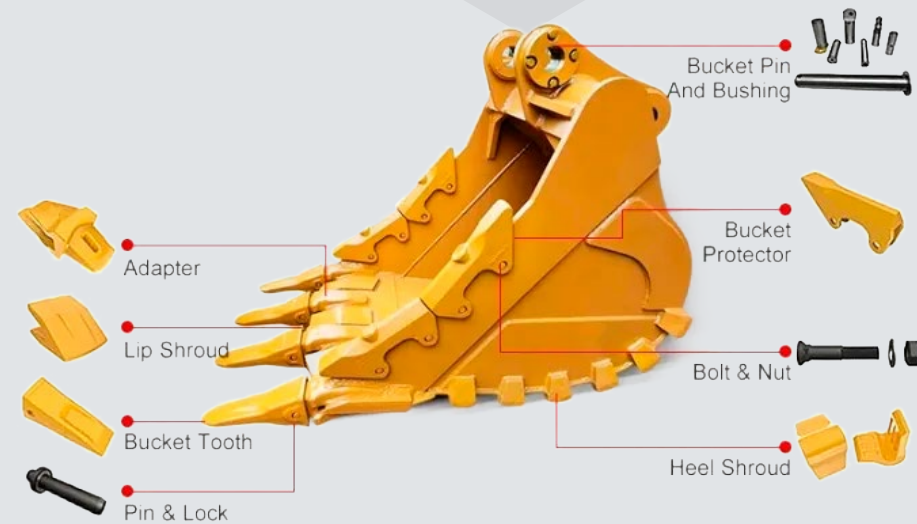


Mining Drill Bits

Fabrication of mining components

G.E.T. (Ground Engaging Tools)

- Bucket Teeth
- Cutting Edge





Rod Mill (forged in casting)

· Rod Media Mill

Ball Mill (forged in casting)

· Ball Media Mill





Heavy Equipment Spare Parts

· Manufacturing of any type of spare parts

Call us for whatever you need

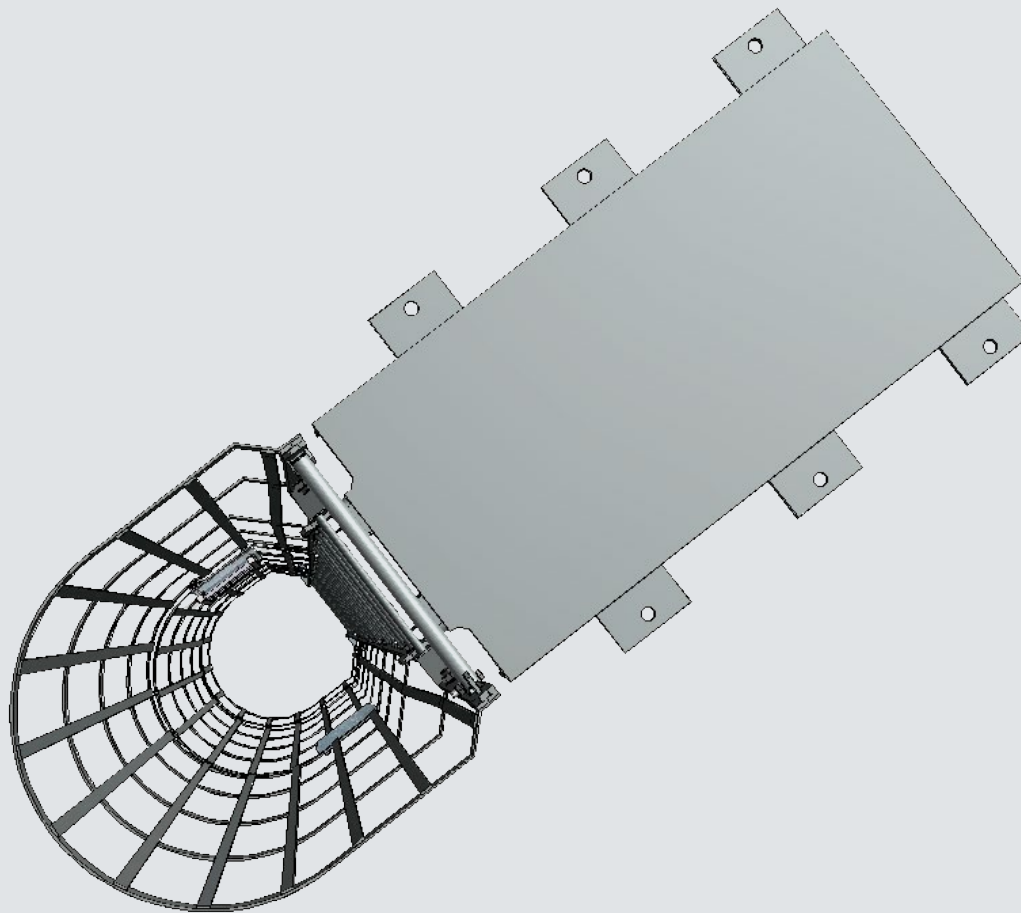
Liners

· Bed Liner Mining Trucks





Wire Harness Manufacturing



Ladderways

- Available in Double & Triple style.
- Galvanised.
- Australian designed.
- Assemble onsite for cost effective shipping.

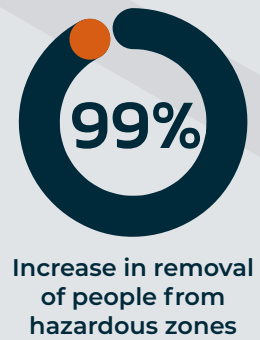
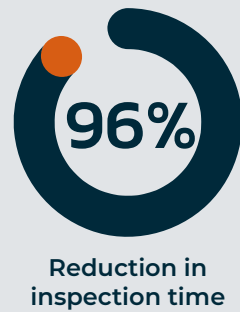
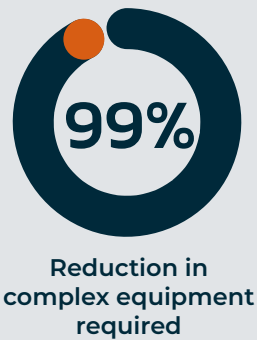


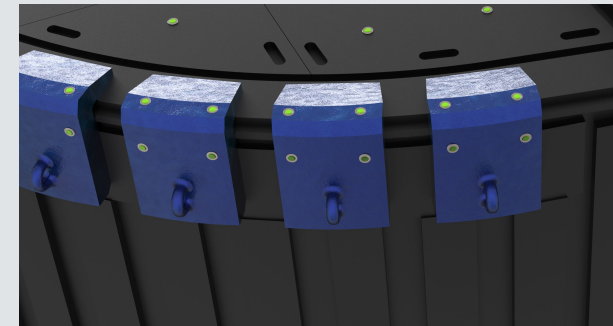
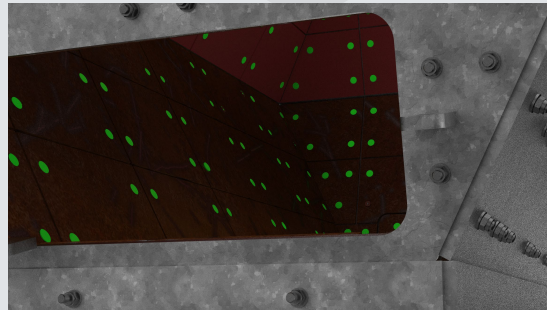
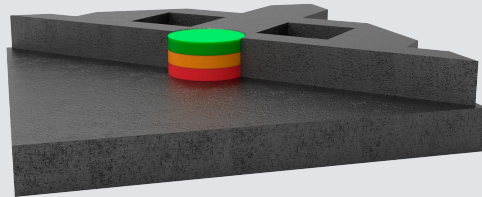
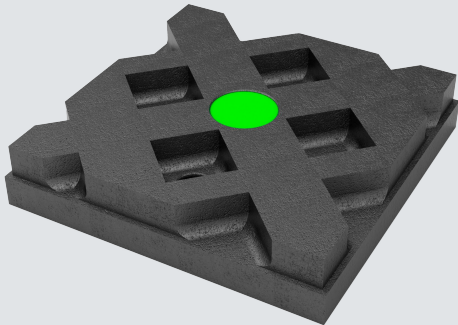
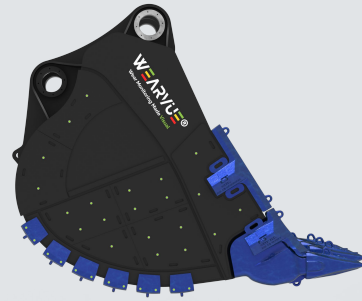
Other Products and Services

Complementary services for your mining operations.

Safety in the work area

WearVue® empowers industries by simplifying wear monitoring. Our visual colour-coded indicators blend an intuitive design, that provides understandable and accurate wear assessment for all, from experts to first-time users.



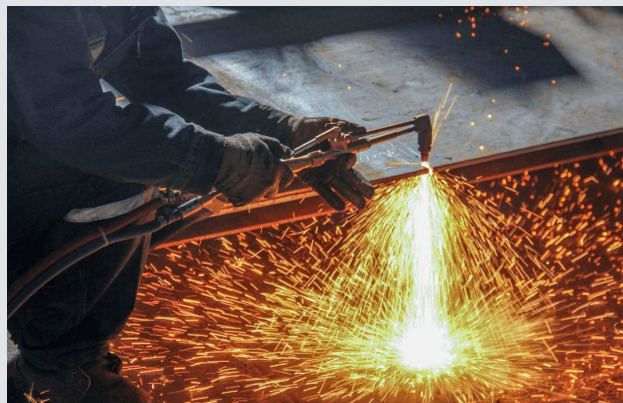
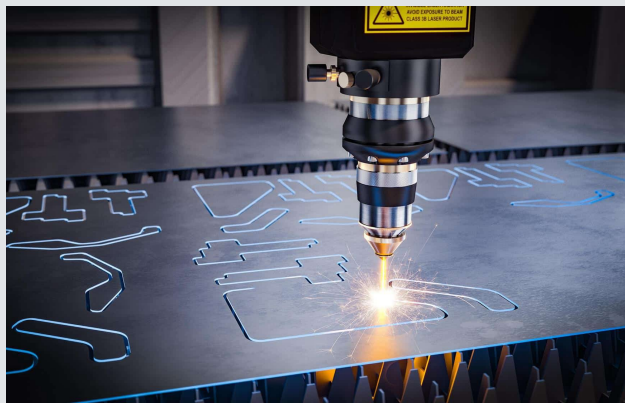


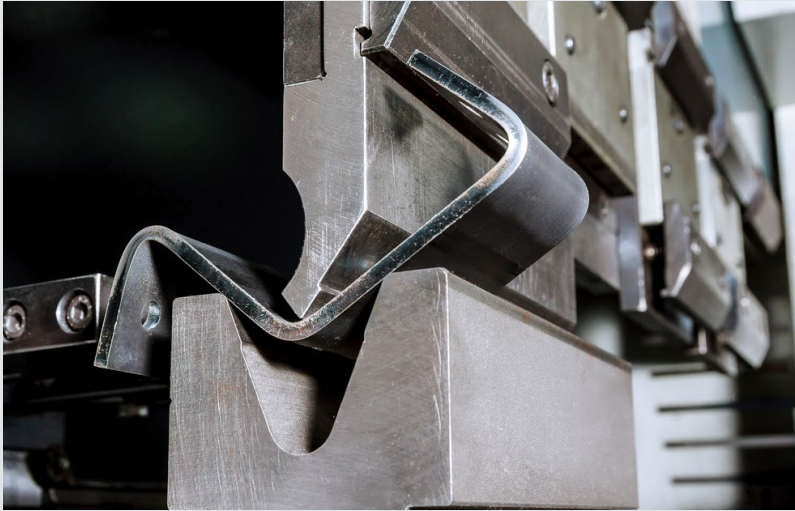
Design, Engineering, and Production of Wear Metal and Consumables

Laser cutting

· Oxy Cutting, Plasma Cutting

Other Products and Services





Forming/Bending



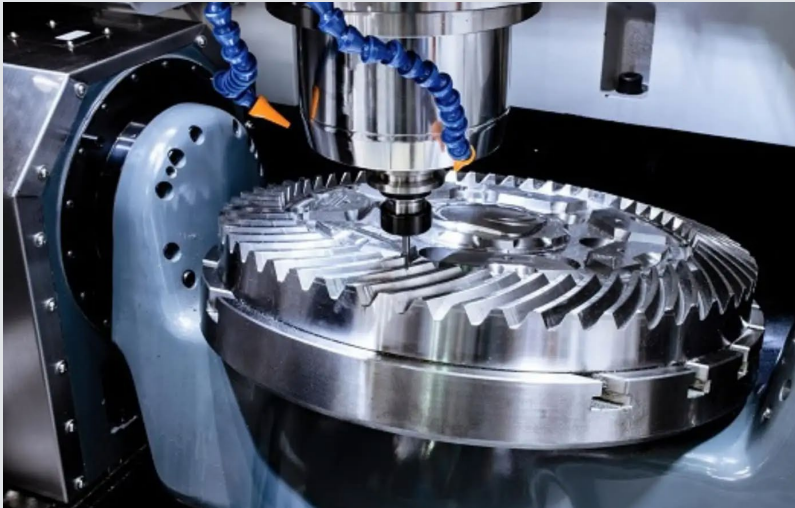
Rolling



Assembly and welding

Welding robots





CNC "Machining"

Shot blasting





Painting and powder spraying lines



GSSM

WE'LL TAKE IT FROM HERE

Optimizing mining performance with precision and reliability.



+1 (520) 904 0081



sales@gssmco.com



www.gssmco.com



Visit our website.

